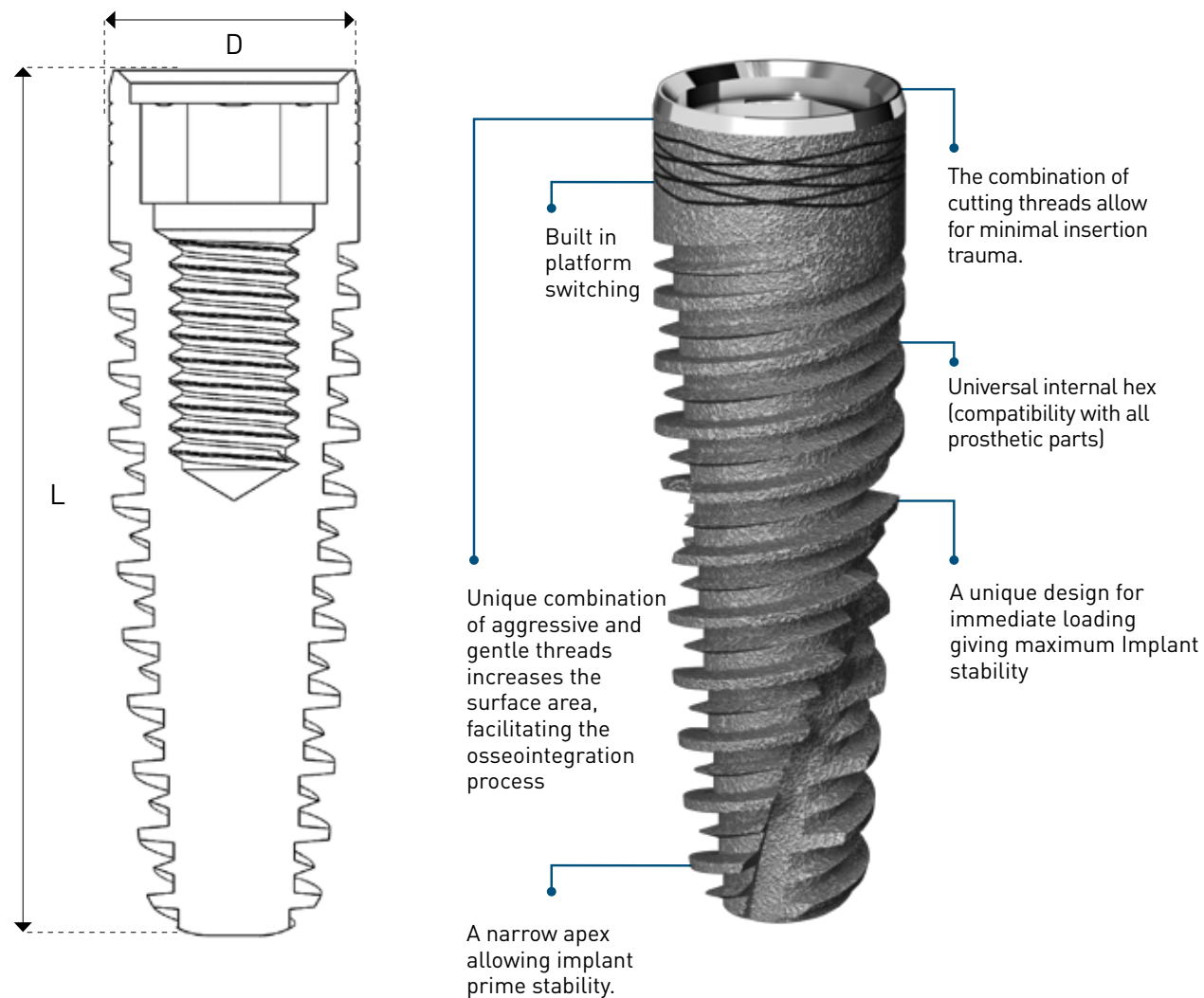
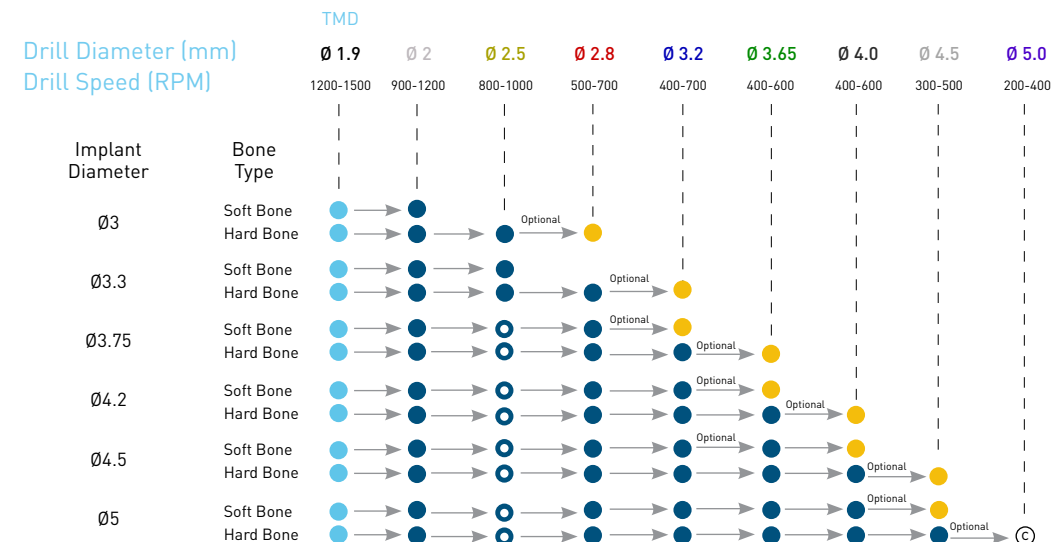


I55 CONICAL IMPLANT



CAT no.	D (mm)	Platform	L (mm)	Tube top cap colors	With/Without Implant carrier
I55	3	Narrow	10, 11.5, 13, 16	○	Both
I55	3.3	Narrow	10, 11.5, 13, 16	●	Both
I55	3.75	Standard	8, 10, 11.5, 13, 16	●	Both
I55	4.2	Standard	8, 10, 11.5, 13, 16	●	Both
I55	4.5	Standard	6, 8, 10, 11.5, 13, 16	●	Both
I55	5	Standard	6, 8, 10, 11.5, 13	○	Both

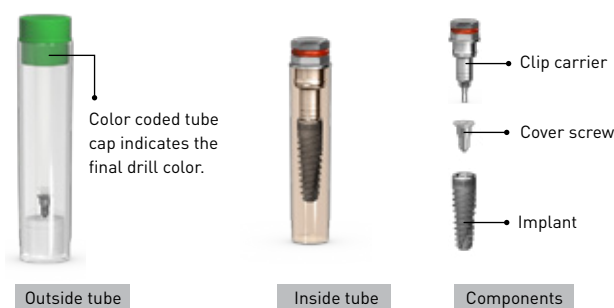
RECOMMENDED DRILL PROTOCOL FOR STRAIGHT OR STEP DRILLS



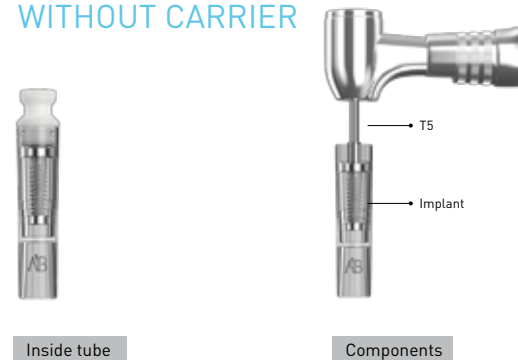
PACKAGE CONTENT

AB Dental Implants can be provided in a package with or without an implant carrier.

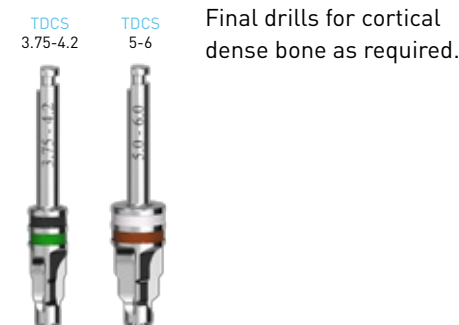
WITH CARRIER



WITHOUT CARRIER



OPTIONAL DRILLS



Procedure recommended by AB Dental should not replace the dentist/surgeon's judgment and experience. Final drill color (for hard bone) should correspond to Implant's Tube Cap color.